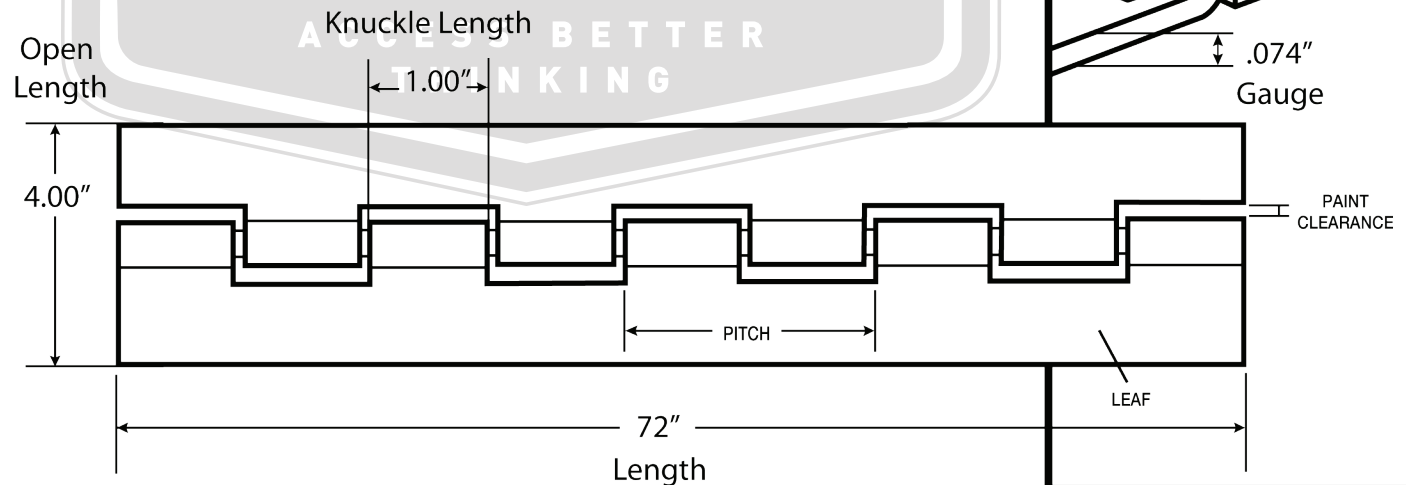
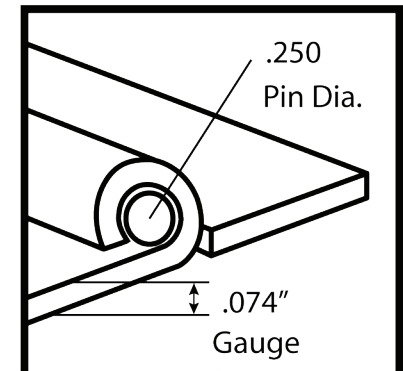


APPROVAL - CUSTOMER NAME & SIGNATURE

DATE

Medium Weight (.074) Continuous Hinge

	Part Number	Gauge	Open Width In.	Pin Diameter In.	Length In.	Knuckle Length In.
Stainless Steel	H825 SS	.074	2	.187	72	1
	H825 SS X96	.074	2	.187	96	1
	H805 SS	.074	2	.250	72	1
	H805 SS X96	.074	2	.250	96	1
	H832 SS	.074	2-1/2	.187	72	1
	H820 SS	.074	2-1/2	.250	72	1
	H820 SS X96	.074	2-1/2	.250	96	1
	H826 SS	.074	3	.187	72	1
	H806 SS	.074	3	.250	72	1
	H806 SS X96	.074	3	.250	96	1
	H827 SS	.074	4	.187	72	1
	H822 SS	.074	4	.250	72	1
	H822 SS X96	.074	4	.250	96	1



ALLEGIS		1-866-378-7550
MATERIAL:	Stainless Steel	DRAWING NO. : H8XXSS
FINISH:		
REV.:	1:1	DATE: 6/17/2019